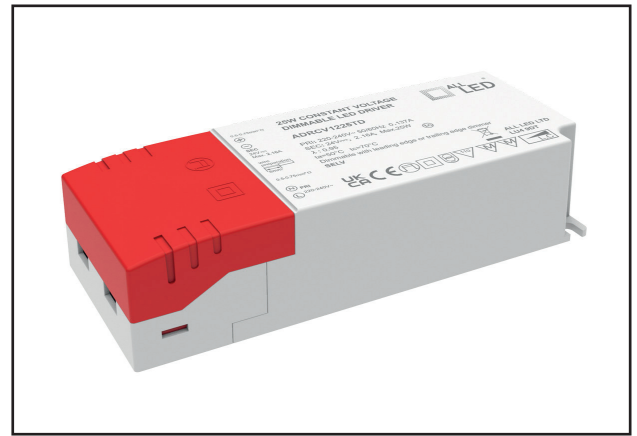


## ADRCV1225TD

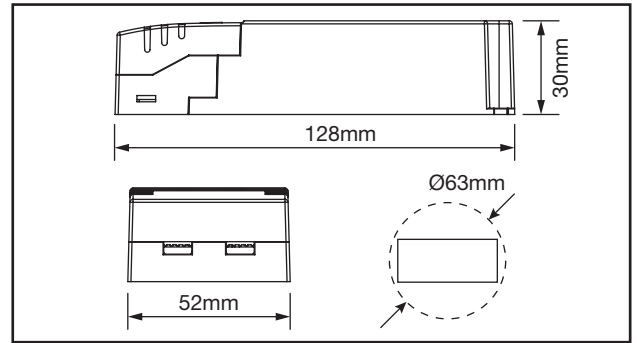
25W 12V DC Constant Voltage  
Triac Dimmable LED Driver

# Drive12



### PRODUCT FEATURES

- Compatible With Trailing & Leading Edge Dimmers
- Tough Polycarbonate Body
- Loop-In - Loop-Out Design
- Large Terminals
- Overload Protection
- No Load Protection
- Short Circuit Protection
- Thermal Protection
- Overcurrent Protection



### TECHNICAL SPECIFICATIONS

PRODUCT CODE	ADRCV1225TD
Operating Voltage	220-240V AC
Operating Current (A max)	0.137
Max Output Power	1.25 - 25W
Output Current (Max)	2.16A
Output Voltage	12V DC
Power Factor	0.95
Efficiency %	82%
No Load Power (W)	<0.5W
Class	II
Body Material	Polycarbonate
Frame Colour	White
Switching Cycles	100,000
Ingress Protection	IP20
Ambient Operating Temperature (°C)	-20°C ~ +50°C
Input Frequency (Hz)	50-60Hz
Guarantee	5 Years
Dimmable	Yes
Dimming Mode (Trailing or Leading)	Trailing & Leading
Output Type	Constant Voltage
Lifetime	50,000 Hrs
Start Up Time	<0.5s
Inrush Current A pk (TH & ms)	20 (th=100µs)

